

Doc No.	TF-SP11-080
Rev. No/date	Rev. 4 / 05.07.2024

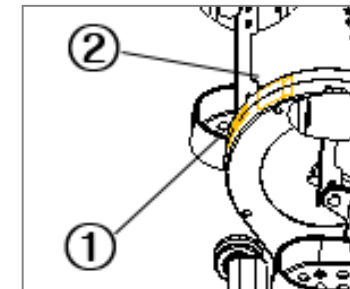
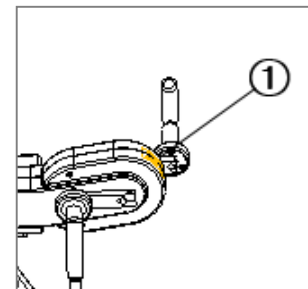
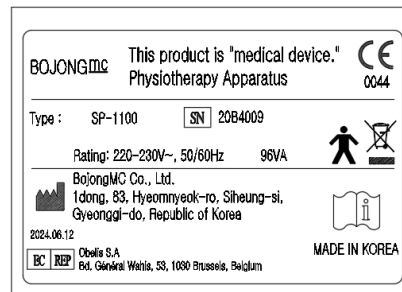
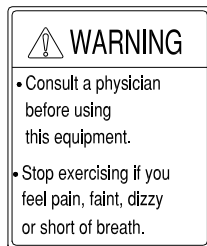
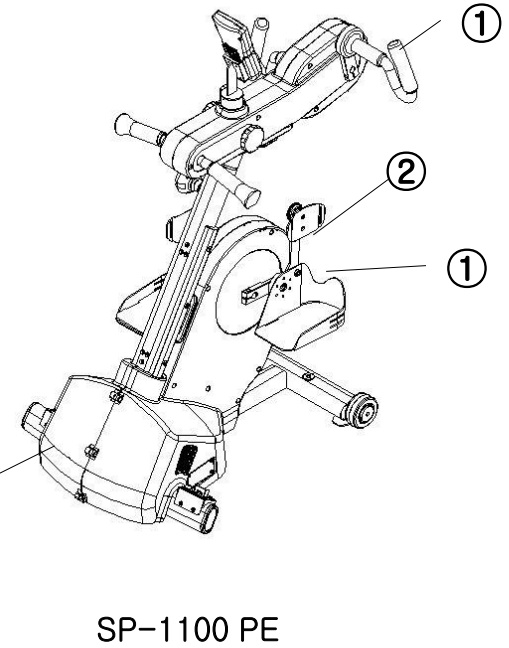
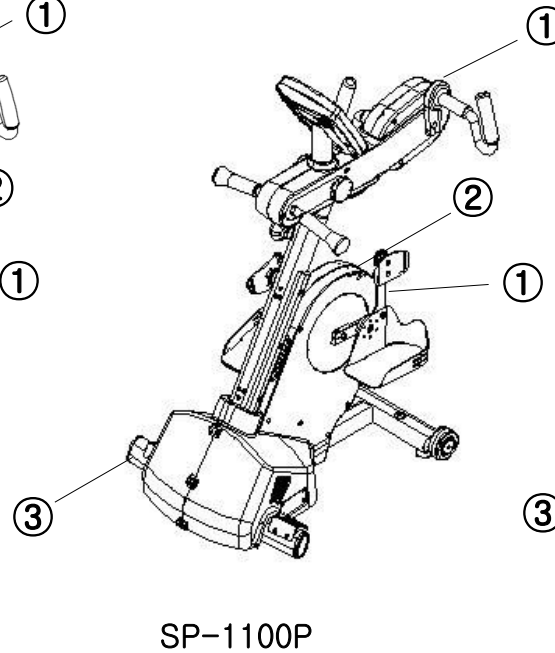
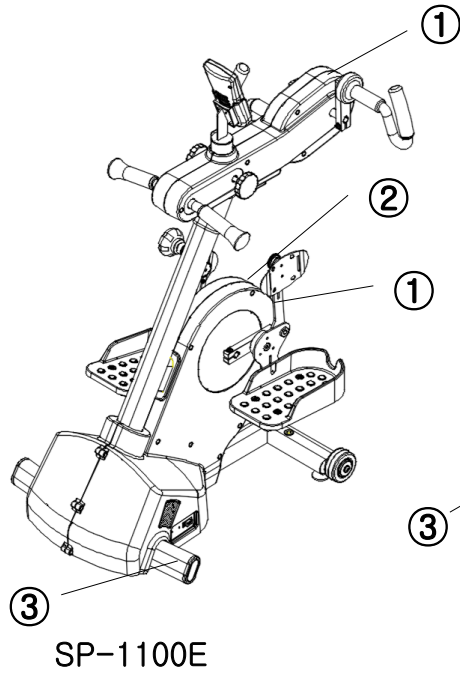
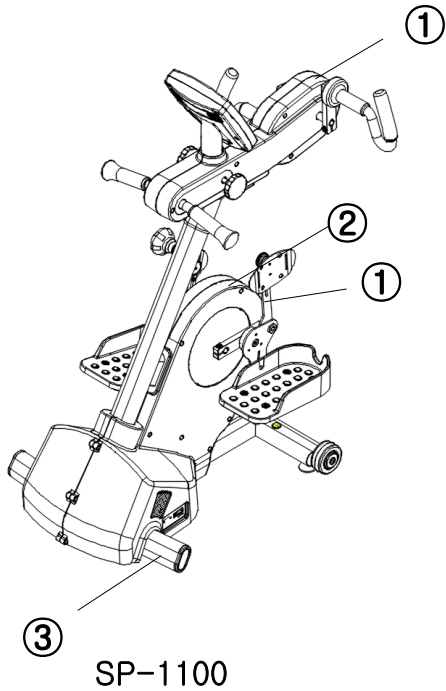
Marking drawing



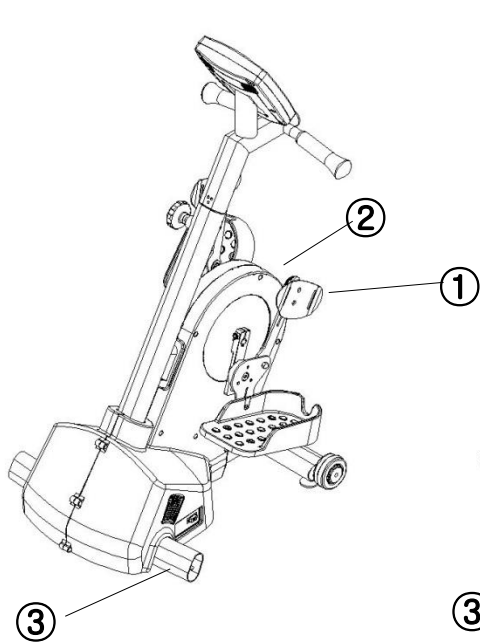
Written	Reviewed	Approved

1. Labels

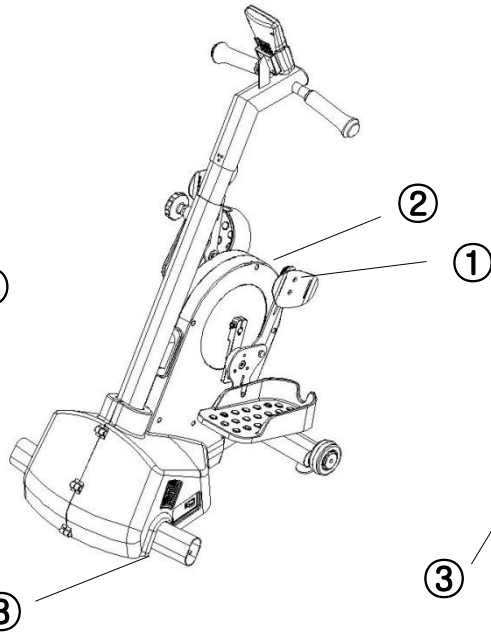
SP-1100 (Uses upper limbs, or lower limbs) Series Labels



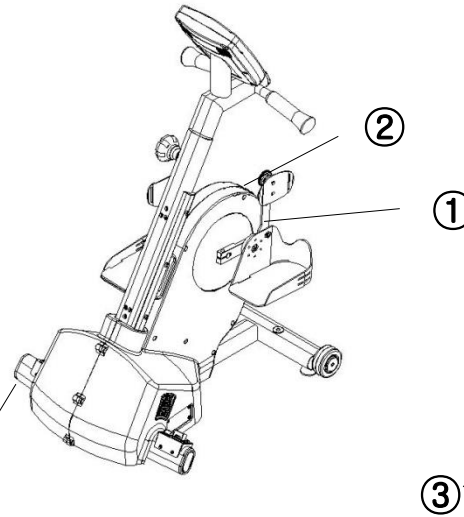
SP-2100 (Uses only lower limbs) Series Labels



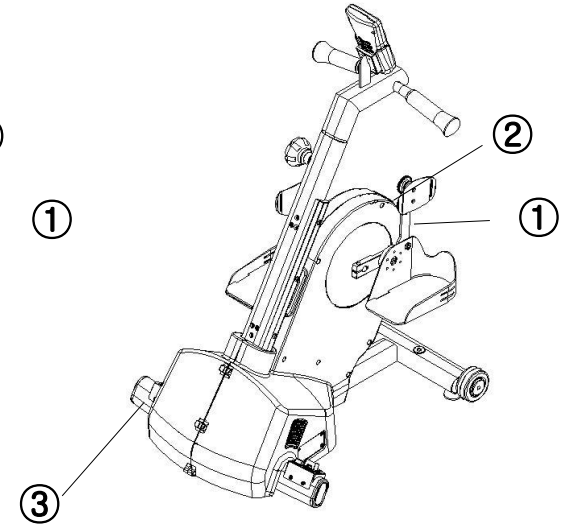
SP-2100



SP-2100E



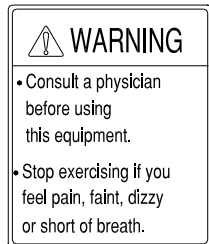
SP-2100P



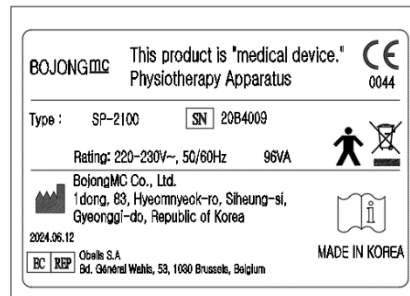
SP-2100 PE



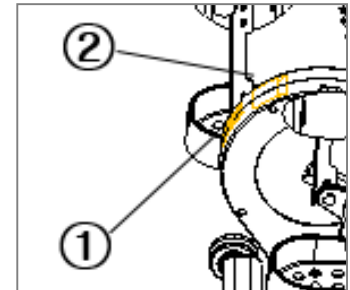
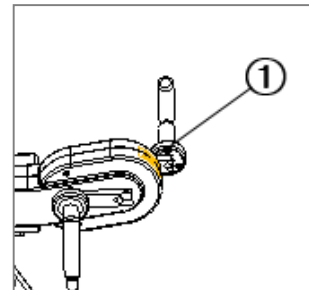
①



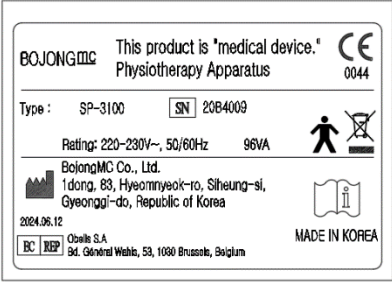
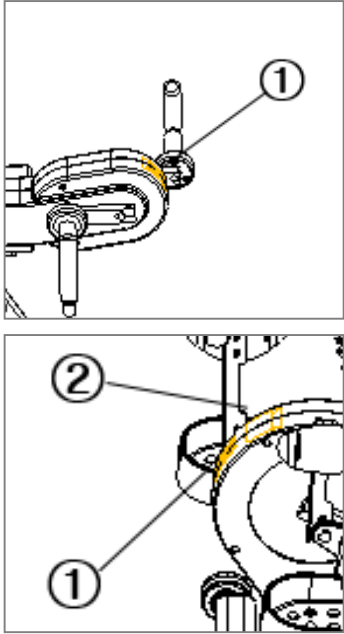
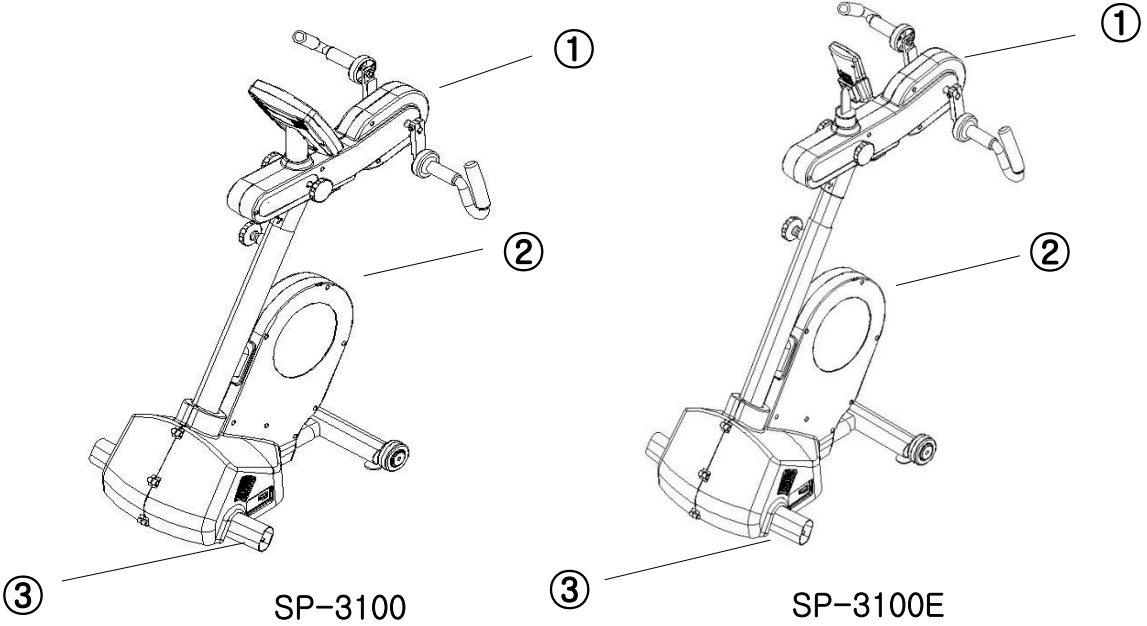
②



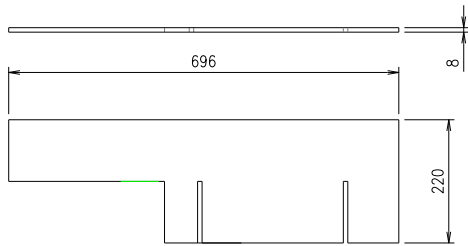
③



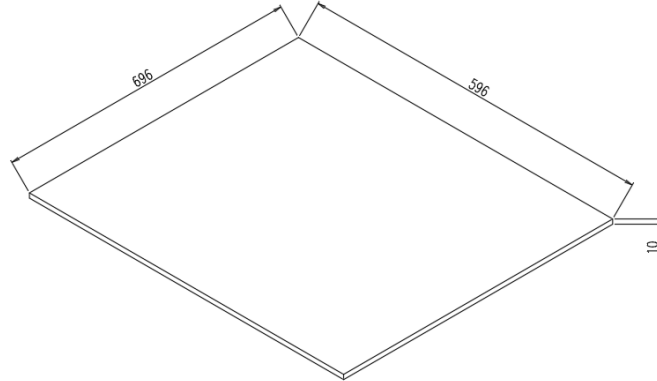
SP-3100 (Uses only upper limbs) Series Labels



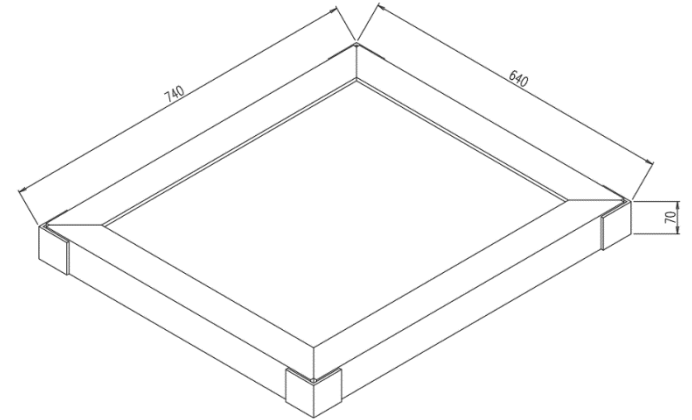
2. Package-2



Package-④



Package-⑤



Package-⑥